



FEEL THE FUTURE

# INSTRUCTION MANUAL

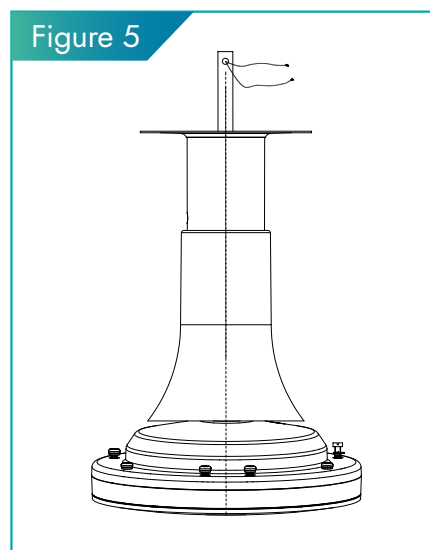
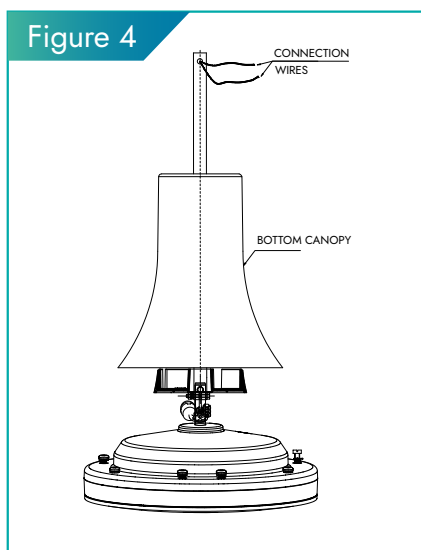
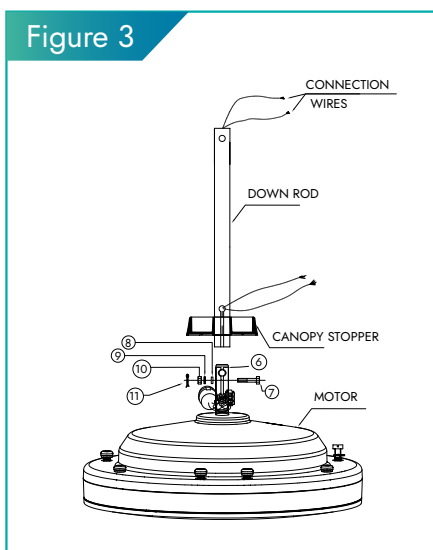
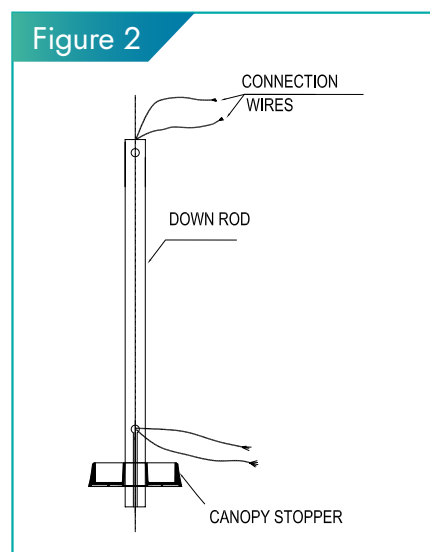
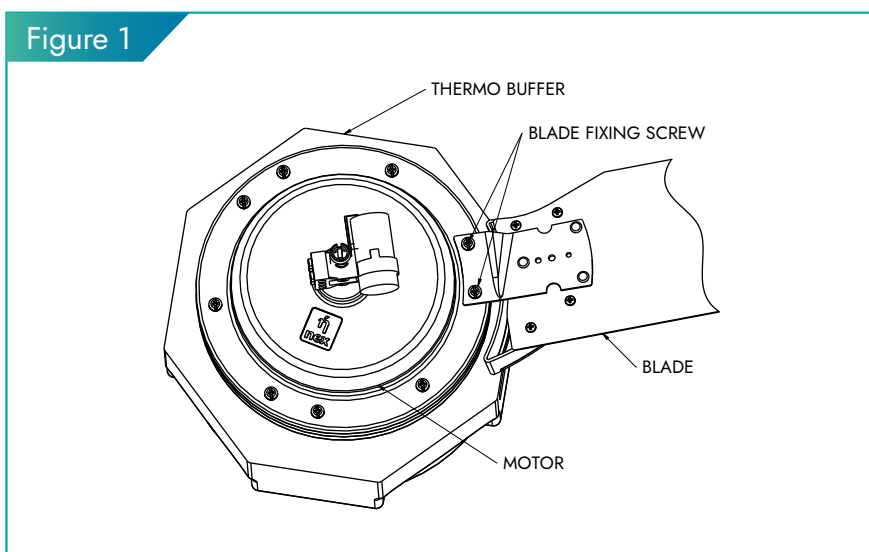
---

This handy guide will help you  
put your Nex fan together.

Have more questions? Talk to us at [care@nexlife.com](mailto:care@nexlife.com)

# ASSEMBLY & INSTALLATION: FAN INSTALLATION & ASSEMBLY OF BLADE

1. Place the motor on thermo buffer to avoid any scratches as shown in (Figure 1).
2. Unscrew the blade screw from Motor and align the blade with the motor as shown in (Figure 1).
3. Screw the Blade to the Motor and ensure a tight fit.



**Note:-** Kindly use same serial number blade as these are precisely balanced for same weight.



# INSTALLATION OF HANGING ASSEMBLY & CANOPIES TO MOTOR

1. Hold the down-rod vertically with Slit side downward.
2. Pass the connection wires through slit hole at the Bottom end of down rod (3) and remove them from the top end of down rod (Figure 2). Slide canopy stopper (4a) from bottom side & ensure connection wire will be aligned with stopper slot (Figure 6a).
3. Insert the bottom end of down rod (3) (with slit) on spindle (6) and insert bolt (7) Place the plain washer (8), spring washer (9), and fully tighten nut (10), insert the split pin (11) in the small hole on the bolt end and open the ends, so that it does not fall off. The assembly of bolt (7), plain washer (8), spring washer (9), nut (10), split pin (11) is separately packed with hanger assembly (18).
4. Align hole in downrod (3) and slot in canopy stopper(4a) and push canopy stopper (4a) from top to rest it on bolt (3) & connect connection wire to the terminal block. (Figure 3).
5. Slide the bottom canopy (4) from top end of down rod (3) and rest it on canopy stopper (4a) (Figure 4).
6. Slide the top Canopy(5) in Bottom canopy (4) and push it downward. (Figure 5)
7. Slide the false ceiling cover (5b) from top end of down rod (3) and rest it on top canopy (5) (Figure 5).
8. Remove the split pin (17), nut (16), spring washer (15), plain washer (14), bolt (13), at the bottom end of hanger assembly (12).(Figure 6)
9. Place hanger assembly (12) in ceiling hook in such a way that rubber reel (18) rests on the ceiling hook.
10. Insert the top end of down rod (3) between the steel clamps of hanger assembly (12). Match the holes with holes in down rod (3). Insert bolt (13), place plain washer (14), spring washer (15), and fully tighten nut (16), insert the split pin (17) in the small hole on bolt end and open the ends, so that it does not fall off.
11. Assemble top canopy (5) and false ceiling cover (5b) together and lift the Top canopy (5) and false ceiling cover (5b) to cover hanger assembly and fix with screw (5a) (Figure 6).
12. Connect the regulator (not supplied along with fan) in the series with fan.

Figure 6 a

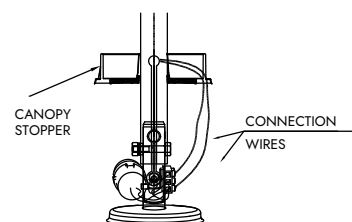
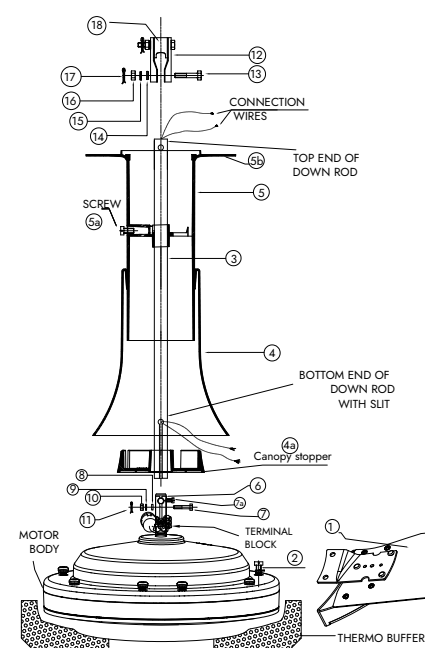
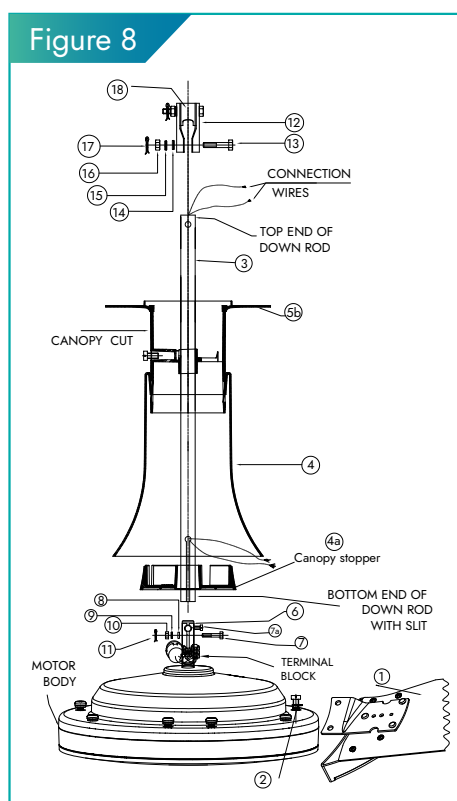
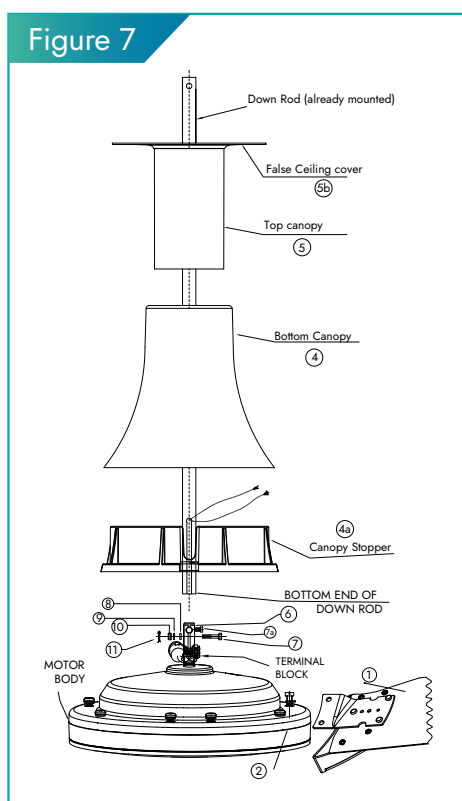


Figure 6



## IN CASE OF FALSE CEILING WHERE DOWN ROD IS ALREADY INSTALLED IN CEILING

1. Assemble top canopy (5) and false ceiling cover (5b) together (figure 7) and slide it up from bottom end of down rod (already mounted).
2. Slide the bottom canopy(4) from down side of top canopy(5).
3. Slide canopy stopper (4a) from bottom end of down rod (already mounted) (Figure 7).
4. Insert the bottom end of down rod (already mounted) (with slit) on spindle (6) and insert bolt (7) Place the plain washer (8), spring washer (9), and fully tighten nut (10), insert the split pin (11) in the small hole on the bolt end and open the ends, so that it does not fall off. The assembly of bolt (7), plain washer (8), spring washer (9), nut(10) split pin (11) is separately packed with hanger assembly (12). & connect connection wire with terminal block.
5. Push canopy stopper (4a) from top to rest it on bolt (7) (Figure 7). Slide down bottom canopy and rest it on canopy stopper.
6. Lift the Top Canopy (5) and false ceiling cover (5b) assembly as per requirement to cover false ceiling hole and Tighten the screw (5a) to fix it (Figure 6).



**Note:-** If there is not sufficient space to accommodate top canopy (5), kindly cut the top canopy (5) from top side / Bottom Side (Figure 8), assemble false ceiling cover (5b) in Top canopy (5), and assemble as per instruction (Figure 8).

## IMPORTANT

The diagram of fan are just the general representation of ceiling fan and not the actual fan. Read the instructions carefully. Open the packing and arrange the fan parts as per the numbers marked on diagram. Assemble & install fan as per the assembly, wiring diagram and written instruction. Check the assembled fan & regulator, ensure proper installation **before switching ON** the fan.

## PRECAUTIONS

- To optimize the air delivery and avoid turbulence ceiling fan should be approx. 7 ~ 8 feet from the ground level and 1 feet below the ceiling/false ceiling (if Applicable).
- 2. Minimum distance between blade tip and wall & between 2 Fans blade tip should be almost equal or more than the fan sweep size.
- 3. Don't mix the blade of one set with another set as these blades are balanced and packed as a set for efficient performance and safety.
- 4. In case of false ceiling, the hole in false ceiling must be in line with ceiling hook and minimum 1 inch gap should be available all around the down rod.
- 5. Ensure that the down rod & fan blade are placed away from any ceiling beam for proper assembly, follow the down rod instruction given in the diagram.

## TROUBLE-SHOOTING INSTRUCTION

Problem	Causes	Solutions
Excessive gap between Bottom canopy and Top Cover	Opposite Placement of Canopy Stopper	Ensure the slotted bush of canopy stopper must be on upper side
	Bottom Canopy not rest on Canopy stoppe	Pull Bottom Canopy downward up to canopy stopper
All 2 canopies not fitting in false ceiling	Down rod length is short because of false ceiling	Remove the top canopy of the Fan and fix the Ceiling cap above Bottom Canopy at wider diameter groove side.
Power is ON but fan is not working	Circuit breaker tripped	Reset the breaker
	Loose connection of wire	Tighten the wire connections
	Regulator setting is at OFF	Reset the regulator
Noisy operation	Bottom canopy touching the top cover of Fan	Place the canopy stopper in down rod
	Fan blade not tighten properly	Tight the mounting screw of the blade
	Input wire coming out from the down rod and touching the top cover	Reduce the length of the wire to avoid touching the top cover
Excessive Shaking	Down rod not fitted tightly	Tighten the bolt and nut as per Instruction Manual
Initial Jerk & Starting Problem	Shackle kit is loose	Tighten the shackle kit properly

**Warning:-** The installation of the fans would be as per instruction manual to avoid any fans and other moving parts breakage. the moving parts breakage due to improper installation may lead to injury.



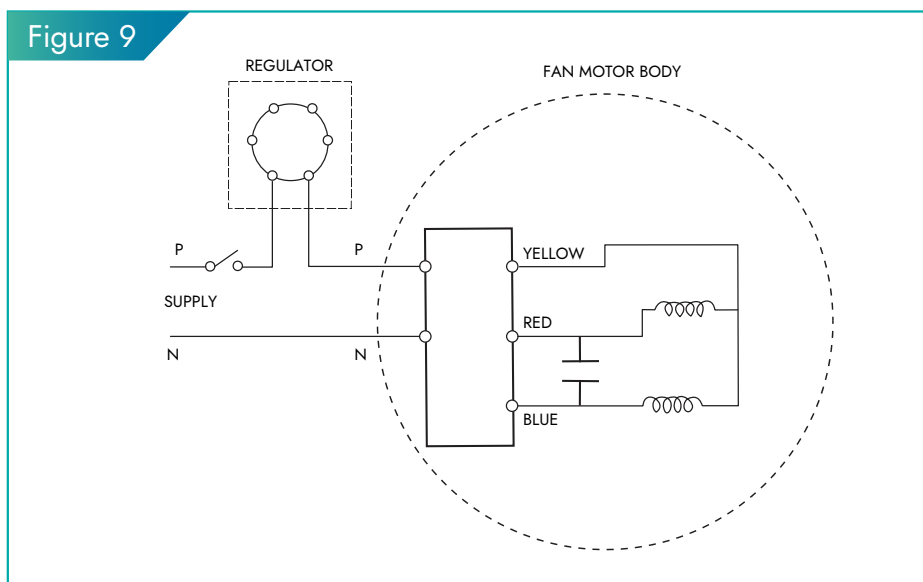
# SELECTION GUIDE

Ceiling Fan recommend Sweep for different room sizes.

Room Size	Fan Sweep
Less than 8 X 8 ft	600mm (24 ")
8-10 ft X 8-10 ft	900mm (36 ")
11-13 ft X 11-13 ft	1200mm (48 ")
14-16 ft X 14 -16 ft	1300mm (52 "), 1400mm (56 ")

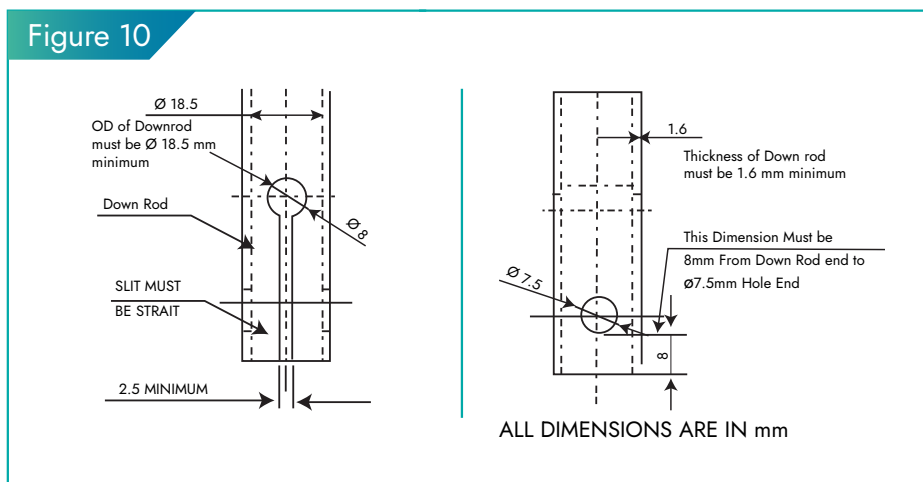
## WIRING DIAGRAM

Figure 9



## DOWN ROD DIAGRAM

Figure 10

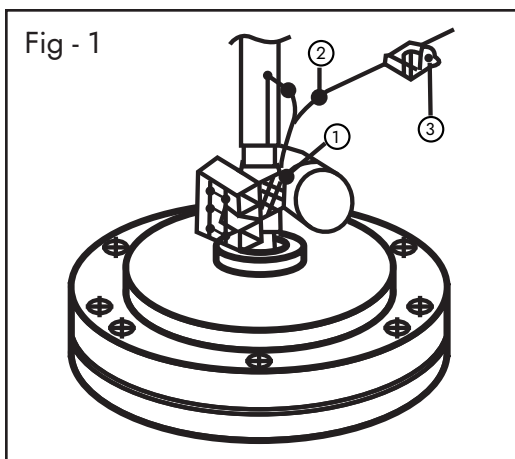


# INSTALLATION OF SUPPORT CABLE WITH FAN

## Installation of Secondary Support Cable

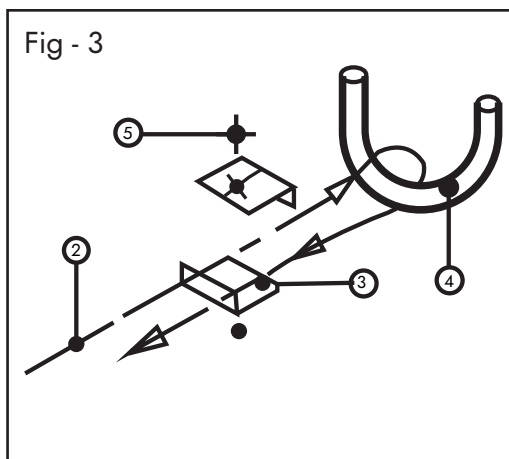
### CAUTION

The purpose of Secondary support Cable is to temporarily hold the fan with ceiling hook, in case of failure of primary suspension system, which may happen due to faulty installation, inadequate tightening of fasteners like nut & bolts etc. The fan should be switched off immediately & faulty system should be corrected before using again.

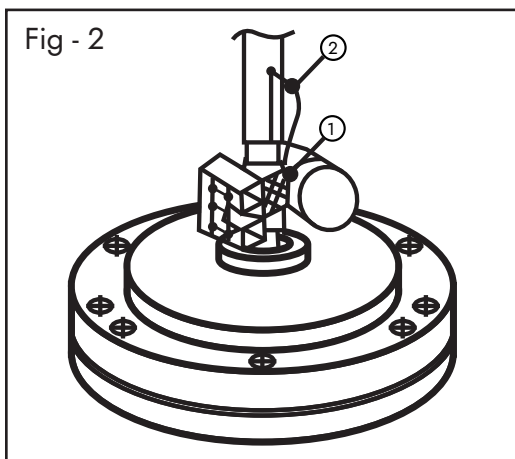


Un wind the support cable (2) and remove the metal clamp (3).

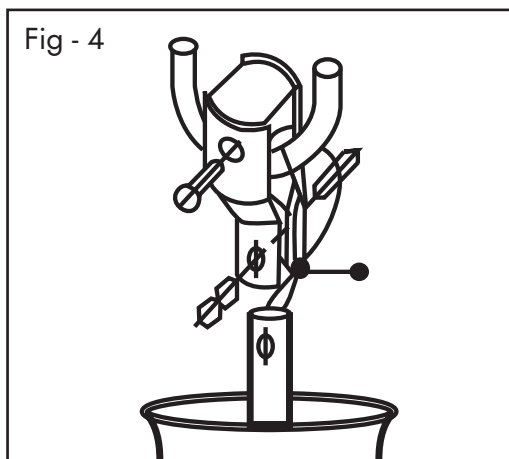
Pass the Cable through the support clip (1) so that it stops at the beaded end.



Thread the Cable (2) thro' the two holes on cable clamp (3) & then thro' the ceiling hook (4). Loop it & thread the free end thro' another set of hole in the clamp. Ensure that the Cable is slack & approximately about an inch loose and in no case supporting the fan directly as shown in Fig - 3 & Fig - 4. Then fully tighten the clamp by tightening nut & screw to ensure that the secondary support is rigidly held.



Push the free end of cable (2) thro' the hole in the down rod (thro' which supply wires are not run) till it comes out of the shackle end.



Fold the free end of the Cable (2). Raise the canopy to appropriate position. Likewise place the condenser cover in its desired position.

